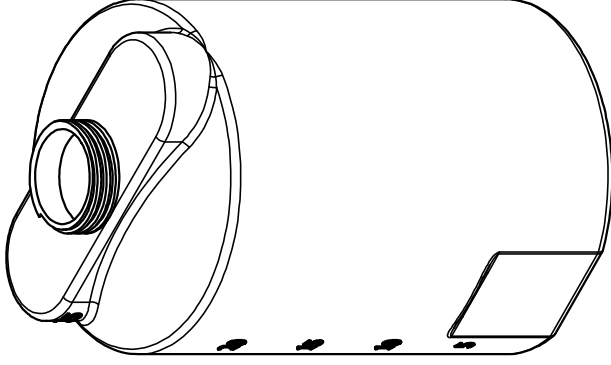
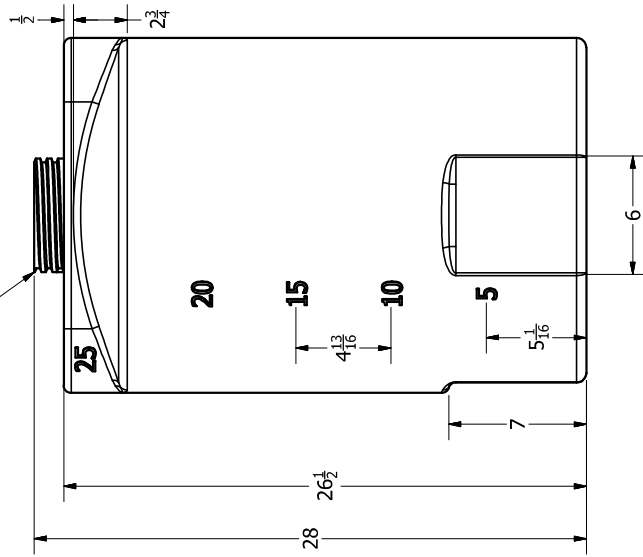


5 3/4 MAJOR DIA  
5 3/8 MINOR DIA  
9/16 PITCH



REVISION HISTORY			
REV	DESCRIPTION	DATE	AUTHOR
A	REDRAWN	7/1/2013	Michael Holden
DRAWN Jerry Paulson			
CHECKED 7/10/2003			
QA			
MFG			
APPROVED			
SIZE	DWG NO		REV
B			A
SCALE: 1/16			SHEET 1 OF 1

**ONTARIO PLASTIC FABRICATORS**  
Real Service. Real Solutions.

TITLE

25 GALLON VERTICAL TANK